

Twinwire Penetrator Flying Arm

P/N: 300_14_TPFA

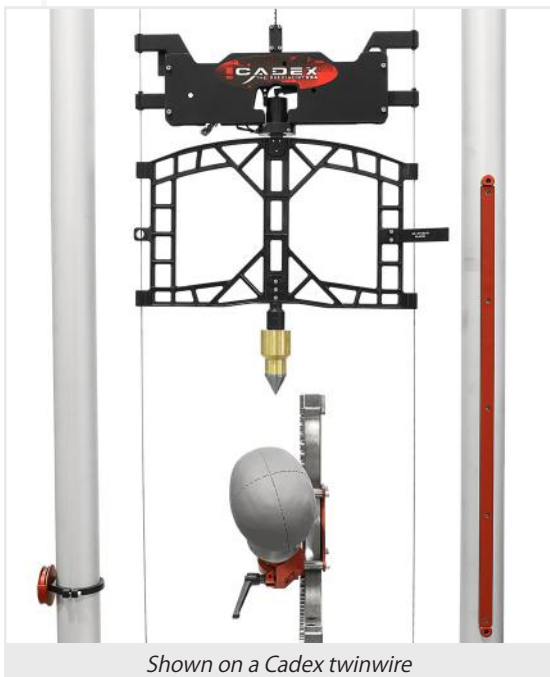
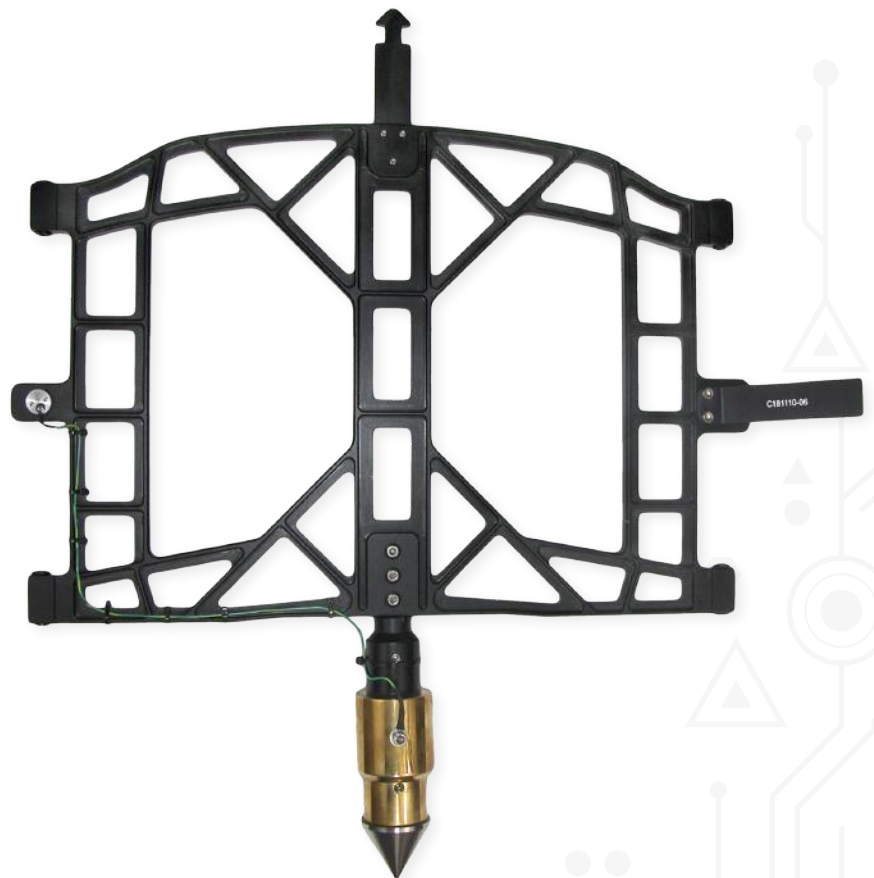
The twinwire penetrator flying arm device is designed to fit the Cadex twinwire equipment. The center of gravity is aligned with the penetrator tip's axis. The mass requirement is met when combined with the falling carriage.

DIMENSIONS (APPROX.):

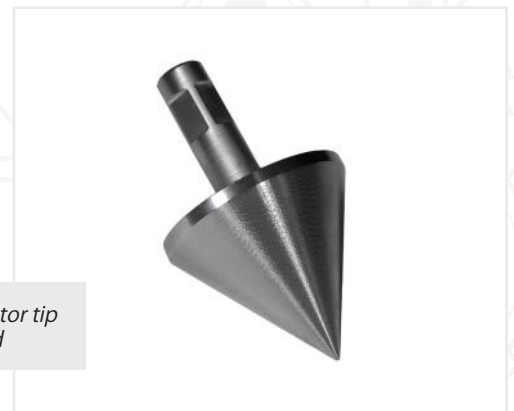
- Length: 49.53 cm / 19.5 in
- Width: 5.08 cm / 2 in
- Height: 53.34 cm / 21 in

FEATURES:

- Comes with 2 penetration tips
- Comes with a certificate of conformity
- Quick and easy to be mounted on the twinwire carriage
- Center of gravity aligned with the penetrator tip axis



Shown on a Cadex twinwire



Spare penetrator tip included