

Penetration Hard Wood BSI Headform

P/N: 100_05_HWBSI

The penetration hard wood headforms (test blocks) are designed and manufactured according to BSI, SNI (Indonesia) requirements as well as other standards.

FEATURES:

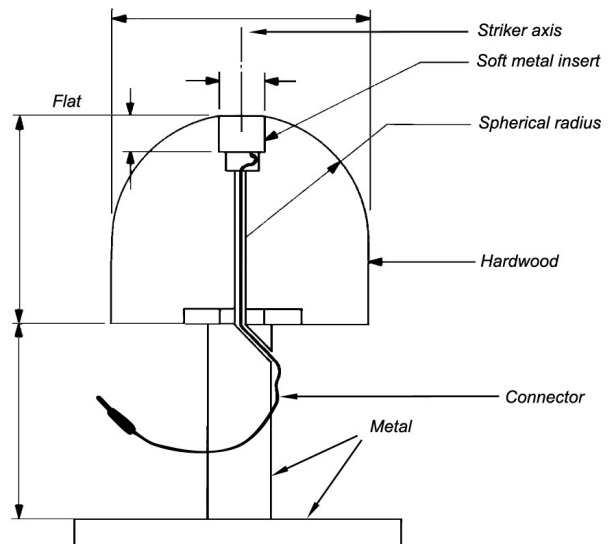
- Material: hard processed wood
- Technical data sheet included
- Soft metal conductive top part
- Customized radius available
- Quick release system for fast installation



Soft metal conductive top part



Shown installed on a Cadex machine



Test block for testing penetration resistance