

Roll off

NOCSEA Retention Leg Model : SB134

According to the NOCSEA ND090 standard retention test for soccer shin guards.

Features :

- Pivoting system to help reach many positions;
- Made of aluminum and other corrosion resistant materials;
- Applies constant static load using gravity;
- Balanced center of gravity;
- Comes with certificate of conformity.



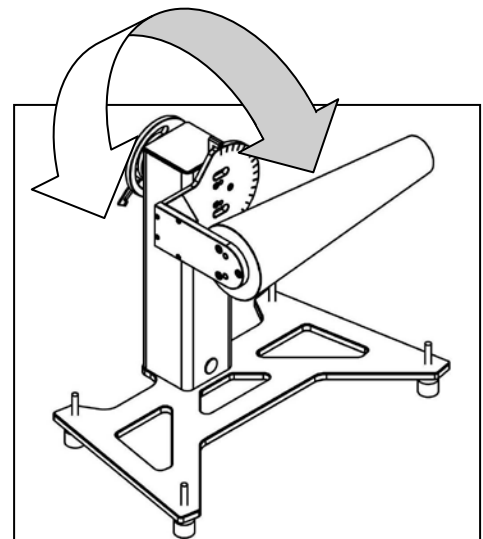
Integrated angle guide



Detailed rear view



*Calibrated
static
weights*



Detailed view of pivoting leg