

Headform

Penetration Hard Wood EN Headform

Model : AA22

The penetration hard wood headforms (Test blocks) are designed and manufacture according to EN1077, EN 13087-3 requirements as well as other standards.

Features :

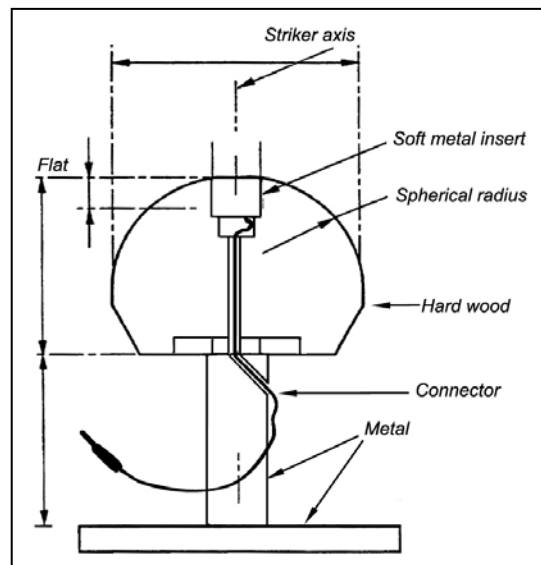
- Material: Hard processed wood;
- Technical data sheet included;
- Soft metal conductive top part;
- Customized radius available;
- Quick release system for fast installation.



Soft metal conductive top part.



Shown installed on Cadex machine.



Test block for testing penetration resistance.